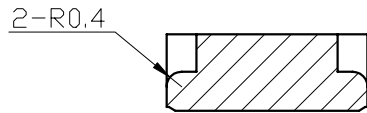
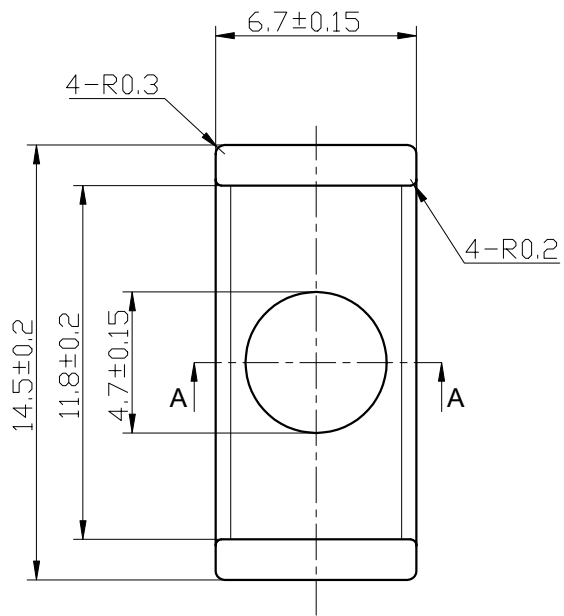
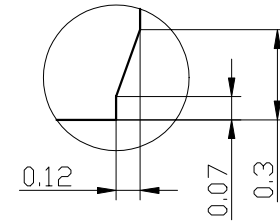
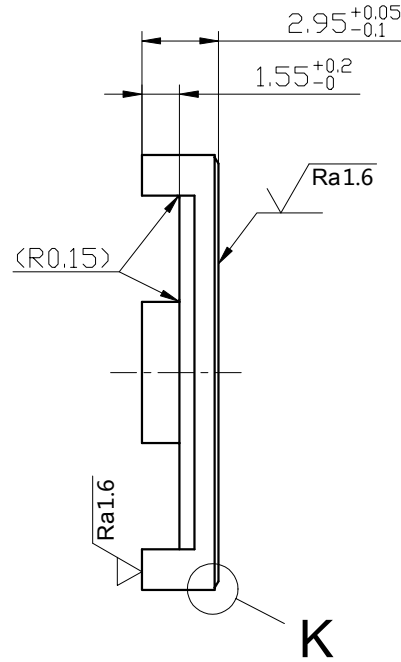


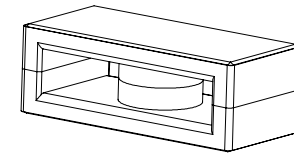
REVISION HISTORY			
Rev	DESCRIPTION	DATE	APPROVED



Section A-A



Detail K



	Scale	4: 1	Material	Customer Part number	
	Unit:	mm		ER14.5/3/7 set	
	Standard tolerances	±0.1	Product Name		EER-14.5
Approved by	Created by	Document type	Rev	Drawing No.	
Y.Higuchi	H.Huang	Production drawing	00	PY170707M03	
Hitachi Metals (Hong kong) Ltd. Panyu Factory			Date of issue	Sheet	
			Jul 07 2017	1/1	